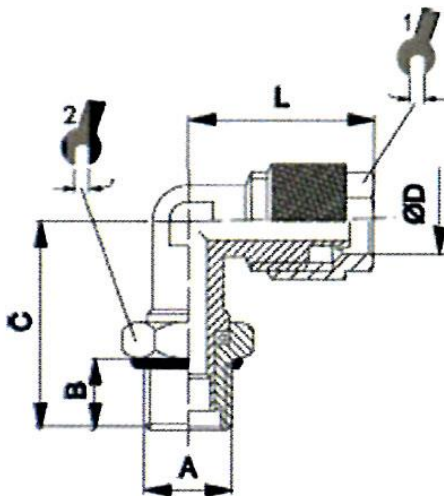




Material	Nickel-plated brass
Max. operating pressure	18 bar
Operating temperature	-20 °C to 80 °C
Suitable hose materials	PA, PE, PU



13.514-8-E

Male elbow, swivel type, parallel male thread

Art. No.	Type No.	ØD	A	B	C	L			O-ring
115223	13.518-6-E	6/4	G 1/8	6.0	22.5	22.5	12	14	NBR
115224	13.518-8-E	8/6	G 1/8	6.0	22.5	23.5	14	14	NBR
115221	13.514-6-E	6/4	G 1/4	8.0	25.0	23.5	12	17	NBR
115222	13.514-8-E	8/6	G 1/4	8.0	25.0	23.5	14	17	NBR
115220	13.514-10-E	10/8	G 1/4	8.0	25.5	25.5	16	17	NBR